

TECHNICAL DATASHEET



WYE TEE 45°

03 Update - 06/2022

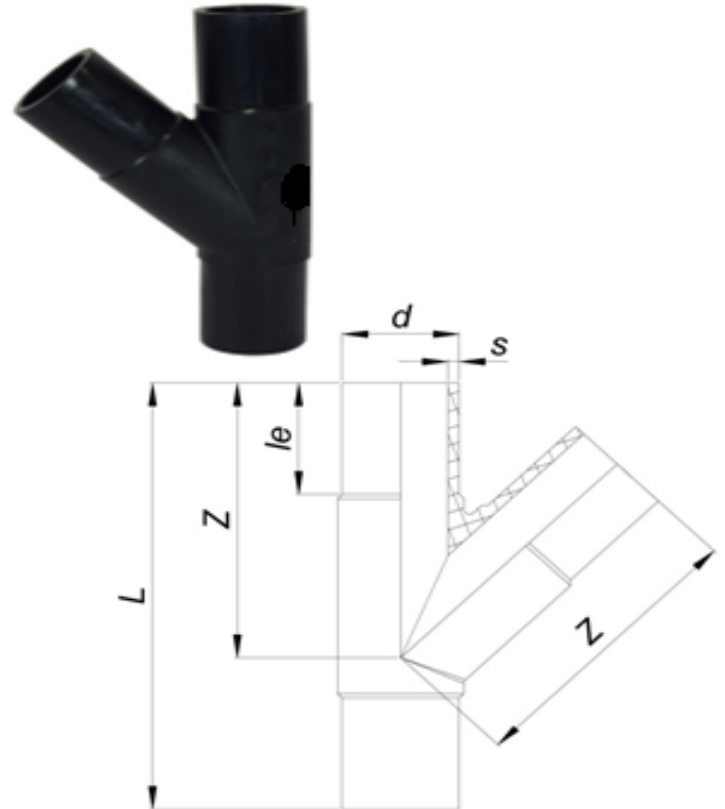
TECHNICAL DATA

| | |
|------------------------|-------------------|
| Article No | 001 317 0045 0063 |
| d (mm) | 125 |
| L (mm) | 412 |
| le (mm) | 92 |
| Z (mm) | 277 |
| s (mm) | 11,4 |
| Weight (Kg) | 2,930 |
| Box Quantity (pcs) | 5 |
| Box Dimension (pcs) | 36x36x46,5 |

IDENTIFICATION OF PRODUCT

| | |
|----------------|-------------------|
| D(mm) | 125 |
| SDR | 11 |
| RAW METARIAL | PE -RT |
| PRESSURE CLASS | |
| TRADEMARK | NTG |
| EXECUTION | Injection Moulded |
| STANDARD | ISO 22391 |

INJECTION MOULDED



SPECIFICATION

Long Spigot

Tolerance on diameters and thickness according to the standards. The other dimensions are specialized. Tolerance $\pm 5\%$. NTG PLASTIK reserves all the right to change any information without giving prior notice. The production, distribution and utilization of this document without explicit authorization is prohibited.

Fr 161 Rev 00